



NEW PRODUCT



INTRODUCING THE NEW HYBRID WINDOW!

To bring together the contemporary looks and strength of aluminum clad with the energy efficiency of PVC, Lepage Millwork offers the best of both worlds with its hybrid window. Available with the casement, awning and architectural (polygon) window, you will certainly find the model that suits your tastes and the options that suit your needs.

ALUMINUM CLAD

For a low maintenance exterior finish, the extruded aluminum clad for your PVC windows is the ideal solution. Thicker and stronger, it provides superior durability, weather and impact resistance.



GRILLES

7/8", 1 1/4" or 2" flat aluminum simulated divided lites (exterior and interior)

Many other options available

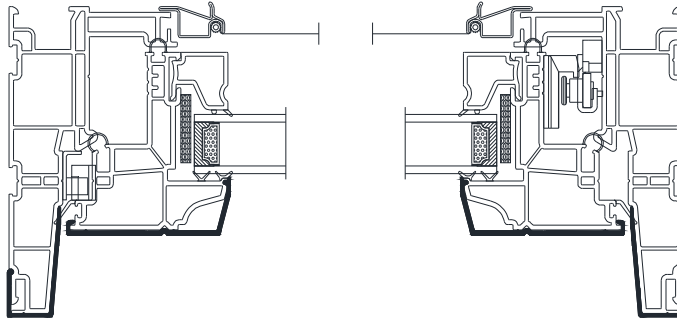


FEATURES AND BENEFITS

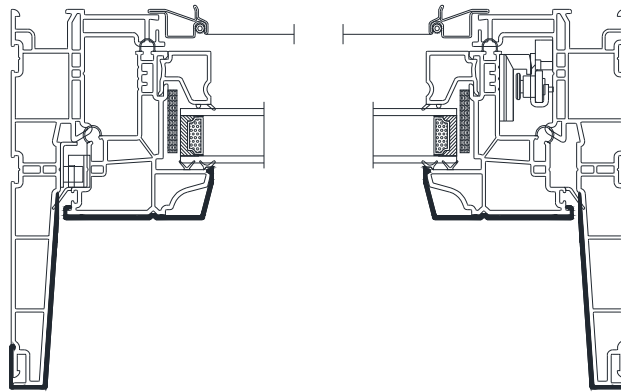
- § Welded PVC profile sections for better resistance and improved performance
- § Optional 6" frame profiles that position the sash in the inner part of the wall, reducing the risk of condensation
- § 4 1/2" frame
- § Folding handle
- § Multipoint lock
- § Safe and soft dual-arm operator
- § Triple weather-strip
- § Available with triple glaze

Horizontal details

4 9/16



6 1/16



Note:

This hybrid window will be available in the system as of Monday, June 8.

Non available with the hybrid window

- No modular assembly with 6" frame
- No unequal unit assembly
- No cambered shape
- No exterior jamb extension
- No Bay window

Should you have any question, please contact your Lepage sales representative or the customer service department.

2015-06-04