



ENTRANCE DOORS



Entrance doors are the culmination of a home's architectural voice.

They finish the exterior and begin the interior experience. For this reason, Lepage entrance doors offer nearly unlimited design variations, with 1 $\frac{3}{4}$ " or 2 $\frac{1}{4}$ " panels, a full range of sizes and sills (wood or aluminum), and an extraordinary breadth of high-grade hinges and hardware. No matter what the architectural style, Lepage entrance doors give voice to an elegant "Welcome."

ENTRANCE DOORS

FEATURES & BENEFITS:

- Available in Pine, Douglas Fir and Mahogany
- Custom and standard sizes
- Wood or extruded aluminum clad exterior
- Clear wood, stained, primed or painted
- 1 3/4" or 2 1/4" thick panels
- Wide variety of simulated and true divided muntins
- Metallic, White, Black and Bronze glass spacers available
- Wide variety of sill and casing options available
- Wide variety of residential or commercial glass options
- Wood or aluminum screen, with a variety of mesh and glass storm panel options
- Multi-point or single-point hardware available in a variety of finishes
- Raised and flat insulated panel options
- Concealed weather-stripping of the highest quality and performance
- Solid brass ball bearing or steel adjustable hinges, both available in a variety of finishes
- Solid 1 1/4" thick frame material
- 1 3/4" thick combination storm and screen

FEATURED DETAILS:



Raised or flat panel available in standard or custom design



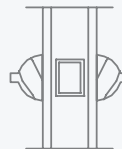
Solid brass ball bearing hinges



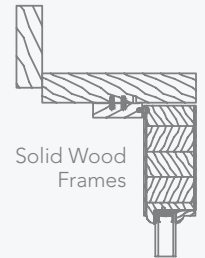
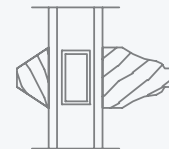
Mahogany sill

DETAILS:

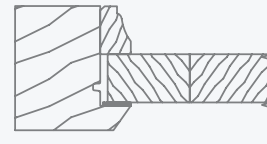
5/8" Standard SDL



7/8" Putty and Davis SDL



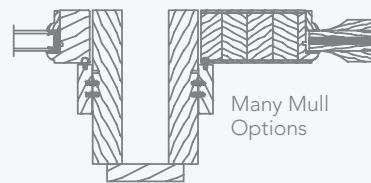
Solid Wood Frames



Flat Panel



Decorative Options



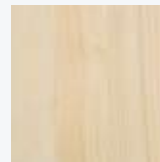
Many Mull Options



Mahogany Sill

Typical horizontal and vertical details

WOOD SPECIES:



Pine



Douglas Fir



Mahogany

CANADA

Lepage Millwork
P.O. Box 1298
141, chemin des Raymond
Rivière-du-Loup, Québec G5R 4L9

Tel: (800) 463-1367
Fax: (866) 551-2391

UNITED STATES

Lepage Millwork
P.O. Box 883
1085 Park Street
Palmer, MA 01069

Tel: (877) 289-0191
Fax: (877) 289-0190

www.lepagemillwork.com



AUTHORIZED DISTRIBUTOR

Lepage Millwork is a Canadian Registered trademark and a pending U.S. trademark of Alphonse Lepage, Inc.



IN-SWING FRENCH CASEMENT



For centuries, architects have used in-swing French windows to unite nature with interior space. Nothing comes close for historical charm. Yet despite their provincial design and panoramic views, Lepage in-swings offer outstanding performance properties. High-grade cremone hardware bolts tightly, with extraordinary ease. Wood and aluminum screens allow subtle variations on design and function. And when they're finally thrown open to the sun and summer breeze, Lepage French in-swings offer a glorious invitation to nature, a dazzling portal between your interior and exterior worlds.

IN-SWING FRENCH CASEMENT

FEATURES & BENEFITS:

- Available in solid Pine, Douglas Fir and Mahogany
- Custom and standard sizes
- Wood or extruded aluminum clad exterior
- Clear wood, stained, primed or painted
- 1 3/4" thick sash
- Wide variety of simulated and true divided muntins
- Metallic, White, Black and Bronze glass spacers available
- Wide variety of sill nosing and casing profiles
- Wide variety of residential or commercial glass options
- Wood or aluminum exterior screens with a variety of mesh options
- Cremone hardware available in a variety of finishes
- Exposed cremone hardware available in a variety of handle and case styles
- Concealed weather-stripping of the highest quality and performance

FEATURED DETAILS:



Cremone case and knob

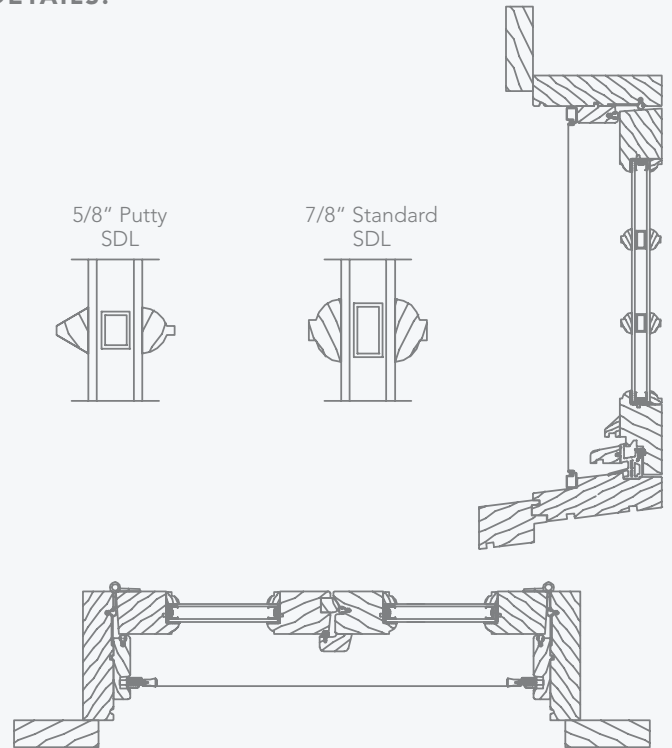


Lift off hinges



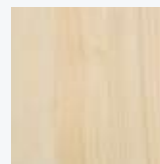
Cremone rod and guide

DETAILS:



Typical horizontal and vertical details

WOOD SPECIES:



Pine



Douglas Fir



Mahogany

CANADA

Lepage Millwork
P.O. Box 1298
141, chemin des Raymond
Rivière-du-Loup, Québec G5R 4L9

Tel: (800) 463-1367
Fax: (866) 551-2391

UNITED STATES

Lepage Millwork
P.O. Box 883
1085 Park Street
Palmer, MA 01069

Tel: (877) 289-0191
Fax: (877) 289-0190

www.lepagemillwork.com



AUTHORIZED DISTRIBUTOR

Lepage Millwork is a Canadian Registered trademark and a pending U.S. trademark of Alphonse Lepage, Inc.



PUSH-OUT CASEMENT



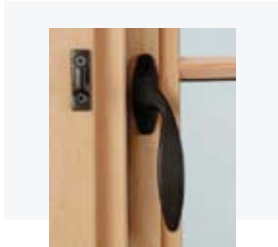
Lepage push-out casements descend from the modern tradition of bold, unobstructed views. They are the design of choice where access is an issue, a rare marriage of form and function. Styled and crafted for the premium home, Lepage push-outs offer multi-point locking and high-grade hardware, with or without sash stays, for unparalleled feel and performance. And with their superb airflow and optional hinged wooden screens, they embody a living aesthetic that is equally suited to modern and traditional settings.

PUSH-OUT CASEMENT

FEATURES & BENEFITS:

- Available in solid Pine, Douglas Fir and Mahogany
- Custom and standard sizes
- Wood or extruded aluminum clad exterior
- Clear wood, stained, primed or painted
- 1 3/4" or 2 1/4" thick sash
- Wide variety of simulated and true divided muntins
- Metallic, White, Black and Bronze glass spacers available
- Wide variety of sill nosing and casing profiles
- Wide variety of residential or commercial glass options
- Wood interior swinging screens with a variety of mesh options
- Multi-point hardware available in a variety of finishes
- Sash stays (only available on wood units) in a variety of finishes
- Concealed weather-stripping of the highest quality and performance
- Push-out French casement option available

FEATURED DETAILS:



Multi-point locking hardware

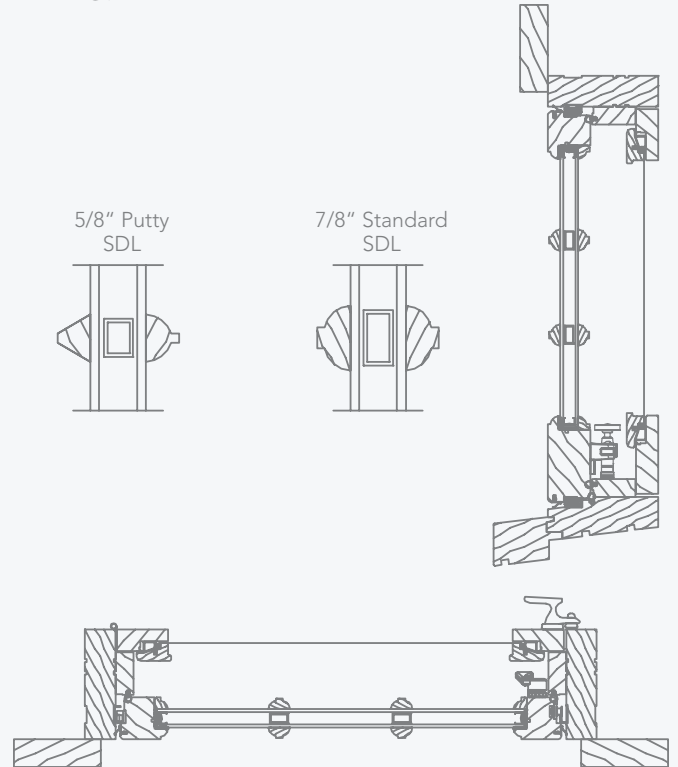


Wood push-out casement optional sash stay



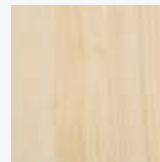
Wood interior swinging screen locking hardware

DETAILS:



Typical horizontal and vertical details

WOOD SPECIES:



Pine



Douglas Fir



Mahogany

CANADA

Lepage Millwork
P.O. Box 1298
141, chemin des Raymond
Rivière-du-Loup, Québec G5R 4L9

Tel: (800) 463-1367
Fax: (866) 551-2391

UNITED STATES

Lepage Millwork
P.O. Box 883
1085 Park Street
Palmer, MA 01069

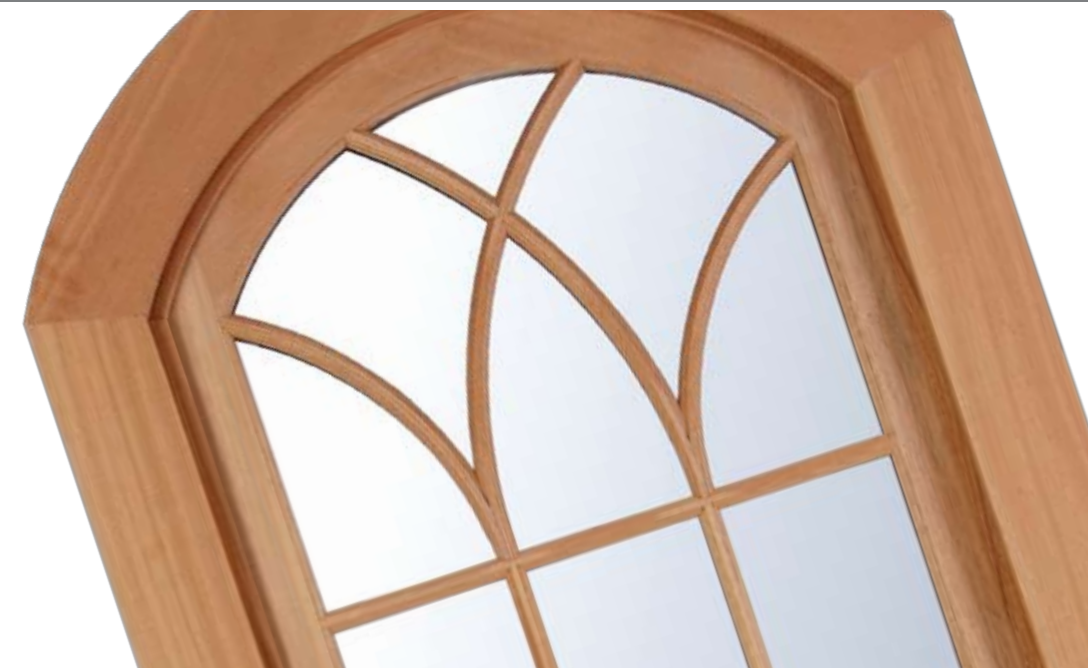
Tel: (877) 289-0191
Fax: (877) 289-0190

www.lepagemillwork.com



AUTHORIZED DISTRIBUTOR

Lepage Millwork is a Canadian Registered trademark and a pending U.S. trademark of Alphonse Lepage, Inc.



WEIGHT & CHAIN DOUBLE HUNG



By the late 19th century, weight and chain windows had found their way into America's finest townhouses and graystones. Their smooth operation and simple, durable design were considered marvels of modern engineering.

They still are. At Lepage this timeless form has found new expression, with updated styling and modern performance features like ball-bearing pulleys and concealed weather stripping. Weight boxes are enclosed and sealed for energy efficiency. And true to tradition, all wooden components are cut to uncommonly solid dimensions, for performance and beauty to endure into the next century.

WEIGHT & CHAIN DOUBLE HUNG

FEATURES & BENEFITS:

- Available in solid Pine, Douglas Fir and Mahogany
- Custom and standard sizes
- Clear wood, stained, primed or painted
- 2 1/4" thick sash
- Wide variety of simulated and true divided muntins
- Metallic, White, Black and Bronze glass spacers available
- Wide variety of sill nosing and casing profiles
- Wide variety of residential or commercial glass options
- Wood or aluminum screen, with a variety of mesh and glass storm panel options
- Solid brass hardware available in a variety of finishes
- Removable sash stops
- Concealed weather-stripping of the highest quality and performance
- Available in double hung or single hung

FEATURED DETAILS:



Solid brass
ball bearing pulleys

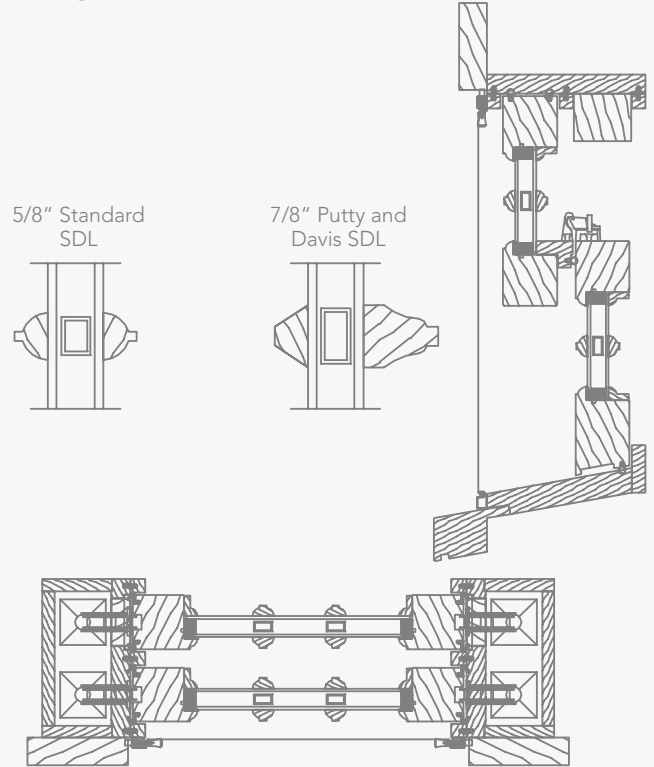


Solid brass CNC
machined sash locks



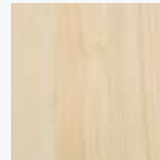
Radius sash and radius
muntin bars available

DETAILS:



Typical horizontal and vertical details

WOOD SPECIES:



Pine



Douglas Fir



Mahogany

CANADA

Lepage Millwork
P.O. Box 1298
141, chemin des Raymond
Rivière-du-Loup, Québec G5R 4L9
Tel: (800) 463-1367
Fax: (866) 551-2391

UNITED STATES

Lepage Millwork
P.O. Box 883
1085 Park Street
Palmer, MA 01069
Tel: (877) 289-0191
Fax: (877) 289-0190

AUTHORIZED DISTRIBUTOR

Lepage Millwork is a Canadian Registered trademark and a pending U.S. trademark of Alphonse Lepage, Inc.

www.lepage millwork.com





XL DOUBLE HUNG



In the great manor houses of Europe, the windows are typically framed entirely in wood. It's a classic, old-world aesthetic. Lepage double-hung windows descend from that tradition. They offer the premium look of a 19th century design, with no visible tracks or springs to betray their recent lineage. Performance is modern, however, with superb thermal properties and a high-grade balance to lift the heaviest windows with ease.

A bit of the old world, a bit of the new. With Lepage, you'll have the best of both.

XL DOUBLE HUNG

FEATURES & BENEFITS:

- Available in solid Pine, Douglas Fir and Mahogany
- Custom and standard sizes
- Clear wood, stained, primed or painted
- 2 1/4" thick sash
- Wide variety of simulated and true divided muntins
- Metallic, White, Black and Bronze glass spacers available
- Wide variety of sill nosing and casing profiles
- Wide variety of residential or commercial glass options
- Wood or aluminum screen, with a variety of mesh and glass storm panel options
- Solid brass hardware available in a variety of finishes
- Removable sash stops
- Concealed weather-stripping of the highest quality and performance
- Available in double hung or single hung
- Concealed Ultra-Lift spiral balance

FEATURED DETAILS:



Solid brass CNC machined sash locks

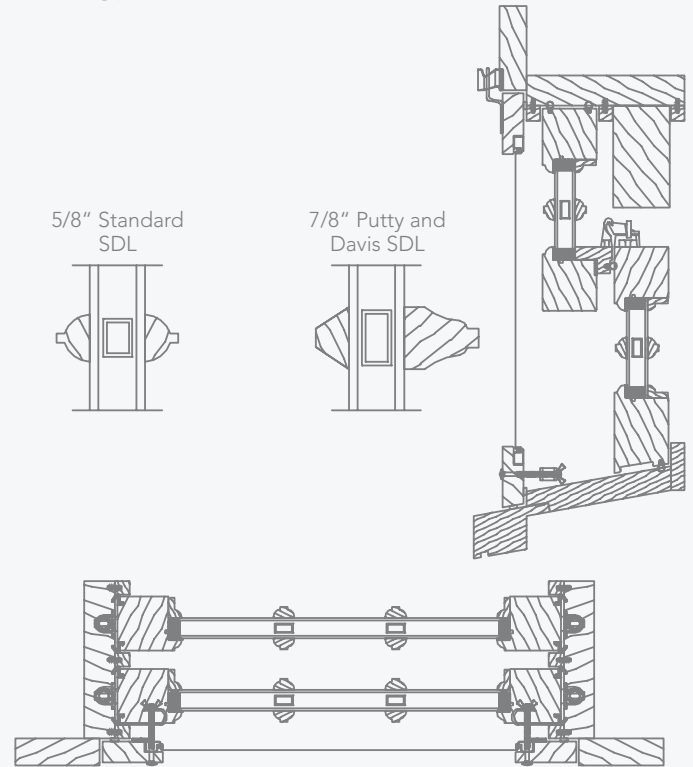


Concealed weather-strip



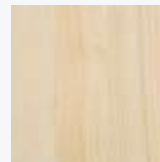
Wood jambs with removable sash stops

DETAILS:



Typical horizontal and vertical details

WOOD SPECIES:



Pine



Douglas Fir



Mahogany

CANADA

Lepage Millwork
P.O. Box 1298
141, chemin des Raymond
Rivière-du-Loup, Québec G5R 4L9

Tel: (800) 463-1367
Fax: (866) 551-2391

UNITED STATES

Lepage Millwork
P.O. Box 883
1085 Park Street
Palmer, MA 01069

Tel: (877) 289-0191
Fax: (877) 289-0190

AUTHORIZED DISTRIBUTOR

Lepage Millwork is a Canadian Registered trademark and a pending U.S. trademark of Alphonse Lepage, Inc.

www.lepagemillwork.com

